

EL2 Series

6.2 x 6.2mm Basic Tactile Switch for SMT



Description

EL2 is the entry level series of mid-size sealed tactile switch. With 6.2 x 6.2 mm compact size and standard heights at 3.5 & 5.2 mm, EL2 Series offers the most common actuation forces with 2N & 3.5N versions. EL2 Series features basic characteristics with operating life at 200K cycles. The switches' ruggedness and IP67 rating are mainly recommended for basic applications in industrial, consumer and medical markets when the best price/performance compromise is sought.

Features & Benefits

- Cost efficient
- Market standard size
- SMT - Tape & reel
- IP67 sealed
- Silicone actuator

Applications

- Smart meters
- Home appliances
- Consumer electronics
- Industrial electronics
- Medical portable devices

Specifications

| | |
|----------------------------|-----------------------------|
| Function | Momentary action |
| Contact Arrangement | 1 make contact = SPST, N.O. |
| Terminals | J bend for SMT |
| Contact Material | Silver plated |

Electrical Characteristics

| | |
|------------------------------|------------------|
| Maximum Power | 0.9 VA |
| Min. / Max. Voltage | 1V / 18V |
| Min. / Max. Current | 0.01 / 150 mA |
| Dielectric Strength | 250 Vrms |
| Contact Resistance | ≤ 100 mΩ |
| Insulation Resistance | (100 V): ≥ 100MΩ |
| Bounce Time | ≤ 5 ms |

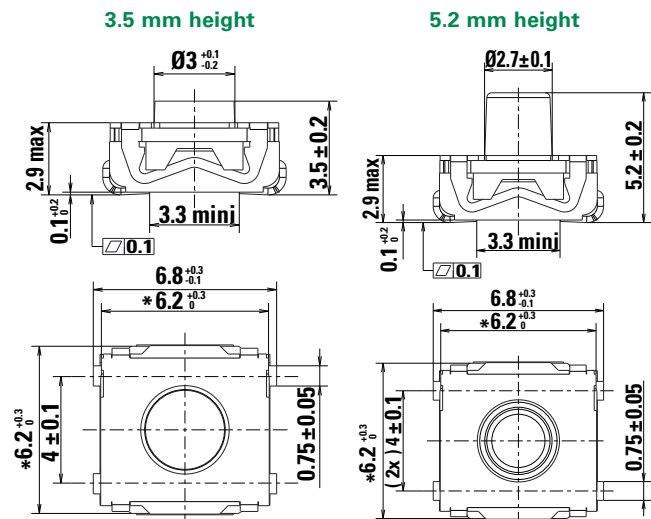
Environmental Characteristics

| | |
|------------------------------|---------------|
| Operating Temperature | -40°C to 85°C |
| Storage Temperature | -55°C to 85°C |

Notes:

Specifications listed above are for switches with standard options. EL2 series is not subject to adaptation and/or modification for specific use. If additional features are required, please refer to the KSC series. Price available on request only, please contact your sales representative.

Dimensions (mm)



EL2 Series

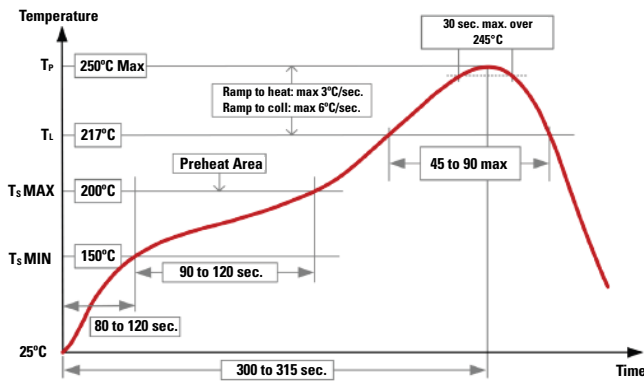
6.2 x 6.2mm Basic Tactile Switch for SMT



Mechanical Characteristics

| Part # | Force (N) | Operating Life (operations) | Travel (mm) |
|----------------|-----------|-----------------------------|-------------|
| EL2 35 20J LFS | 2±0.6 | 200,000 | 0.3±0.2 |
| EL2 35 35J LFS | 3.5±1.0 | | 0.4±0.2 |
| EL2 52 20J LFS | 2±0.6 | | 0.4±0.25 |
| EL2 52 35J LFS | 3.5±1.0 | | 0.6±0.25 |

EL2 Reflow Soldering Profile



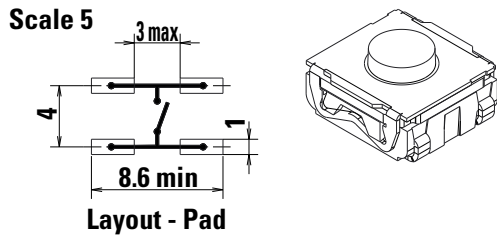
| | |
|----------------|-------------------------------|
| T _P | Peak Package Body Temperature |
| T _L | Liquidous Temperature |
| T _G | Preheat/Soak Temperature |

Process

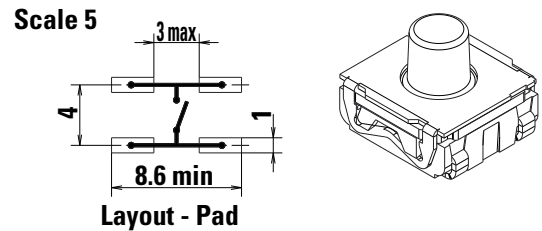
| | |
|------------------|--|
| Soldering | This component is suited to the following methods: Cleaning according to typical washing processes Lead free reflow soldering process in accordance with IEC 61760-1 |
|------------------|--|

Pad Layout Dimensions (mm)

3.5 mm height



5.2 mm height



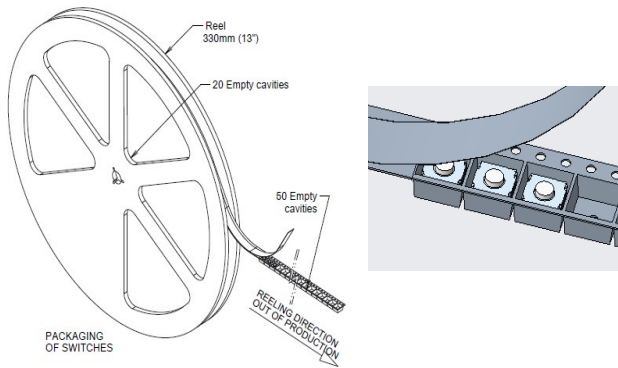
EL2 Series

6.2 x 6.2mm Basic Tactile Switch for SMT

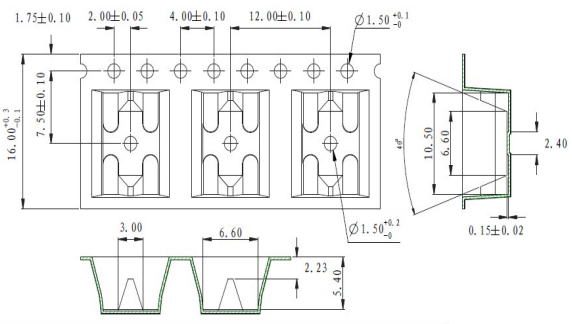
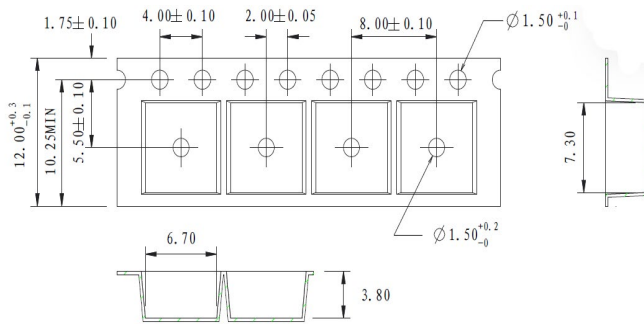
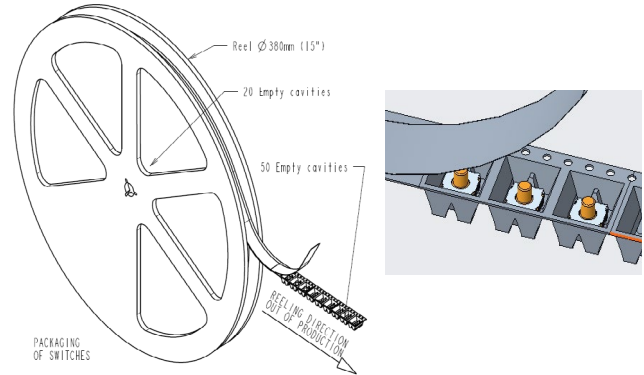


Packaging Dimensions (mm)

EL2 35 20J LFS & EL2 35 35J LFS



EL2 52 20J LFS & EL2 52 35J LFS



Packaging Details

| Series | EL2 35 | EL2 52 |
|------------------------------|---------------------------------------|---------------------------------------|
| Type | Tape & Reel | Tape & Reel |
| Number of parts in packaging | 2000 | 1400 |
| Other Information | Tape & Reel per EIA 481 | Tape & Reel per EIA 481 |
| Transport Conditions | According to specification NF H00-060 | According to specification NF H00-060 |

Ordering Number

Our easy build-a-switch concept allows you to mix and match options to create the switch you need. To order, select desired option from each category. For any part number different from those listed below, please consult your local representative.

EL2 - xx - xxJ - LFS

Height
35: 3.5mm
52: 5.2mm

Operating Force
20: 2N
35: 3.5N

LFS: RoHS compliant and compatible, Silver plated

Termination
J: J bend

Liability Limitation

This datasheet does not provide enough information for applications that require a certain level of quality or safety such as automotive, medical systems, or safety equipment. Please contact customer service for the contractual specification package.

Disclaimer Notice - Information furnished is believed to be accurate and reliable. However, users should independently evaluate the suitability of and test each product selected for their own applications. Littelfuse products are not designed for, and may not be used in, all applications. Read complete Disclaimer Notice at <http://www.littelfuse.com/disclaimer-electronics>.