

# FDSE Series

## Micro Mini Angled Actuated Detect Switches



### Description

The FDSE series are really miniature in package size which allow for applications that require angled detection. It is mounted on PCB and typical applications are consumer electronics and medical devices.

### Features & Benefits

- Extremely small package size
- Angled actuation
- Flat or bending terminations
- Long travel type
- RoHS compatible and compliant

### Applications

- Consumer electronics
- Medical devices
- Safety control devices

### Specifications

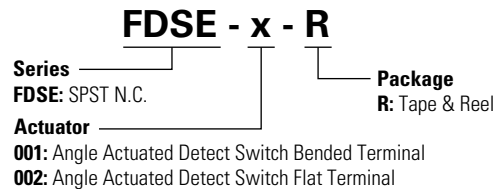
<b>Contact Rating</b>	100 $\mu$ A @ 3VDC, 1 mA @ 5 VDC
<b>Mechanical/Electrical Life</b>	50,000 operations
<b>Contact Resistance</b>	3 $\Omega$ max.
<b>Insulation Resistance</b>	100 M $\Omega$ min. 100 VDC
<b>Dielectric Strength</b>	100 VAC @ 1 minute
<b>Operating Temperature</b>	-40°C to 85°C
<b>Operating Force</b>	35gf max.
<b>Travel</b>	3.14 mm or 60°
<b>Solderability</b>	According to lead free solder profiles
<b>Packaging</b>	2,000 pieces per reel

### Materials

<b>Base</b>	PA9T
<b>Cover</b>	C7701R
<b>Actuator</b>	PA46
<b>Movable Contact</b>	Beryllium Copper
<b>Terminals</b>	Phosphor Bronze, Ag over Ni Plating

### Ordering Number

Complete part numbers for FDSE Series are shown below.

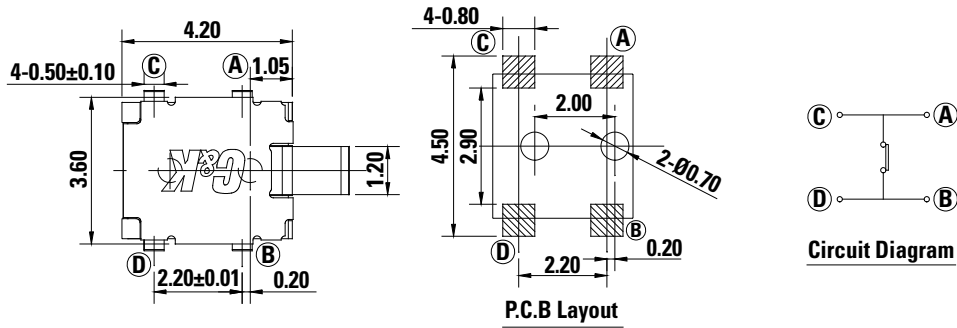


# FDSE Series

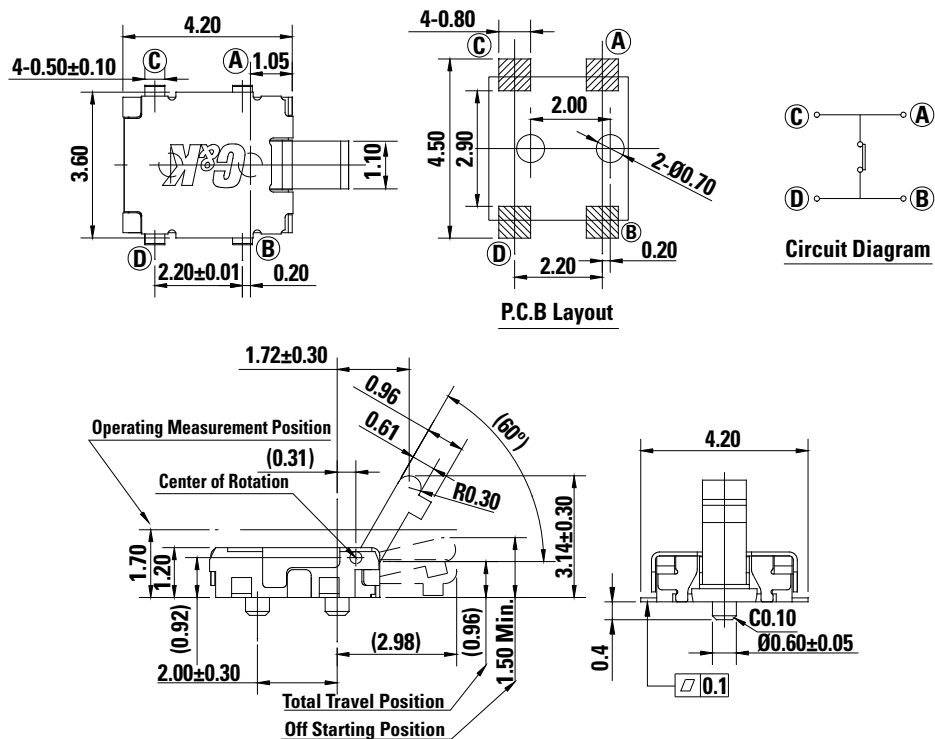
## Micro Mini Angled Actuated Detect Switches



FDSE001R (in mm)



FDSE002R (in mm)

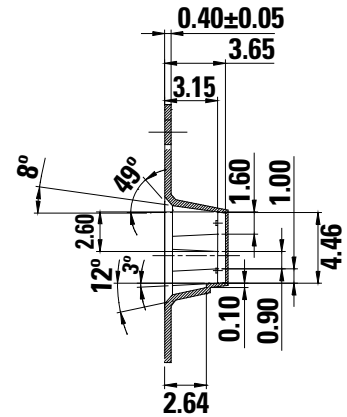
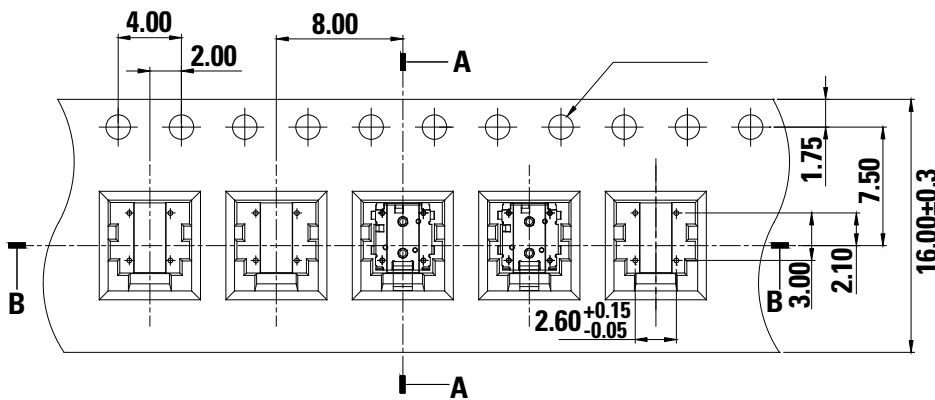
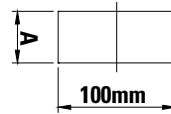
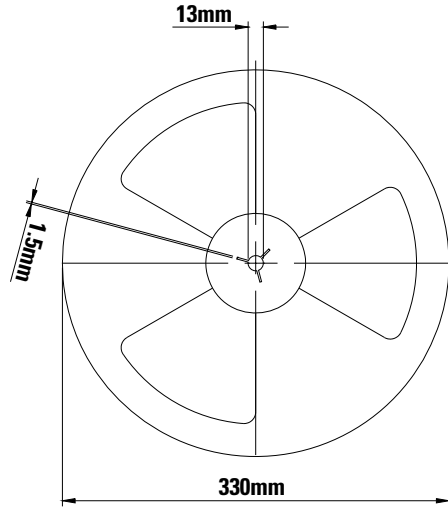


# FDSE Series

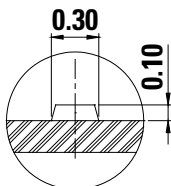
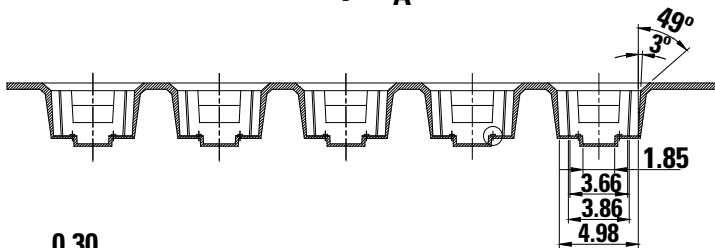
## Micro Mini Angled Actuated Detect Switches



Tape & Reel (in mm)



Section A-A



Section B-B

**Disclaimer Notice** - Information furnished is believed to be accurate and reliable. However, users should independently evaluate the suitability of and test each product selected for their own applications. Littelfuse products are not designed for, and may not be used in, all applications. Read complete Disclaimer Notice at <http://www.littelfuse.com/disclaimer-electronics>.