

3401-001 D*M High Density 104 Contacts 90° Bent PCB Terminations

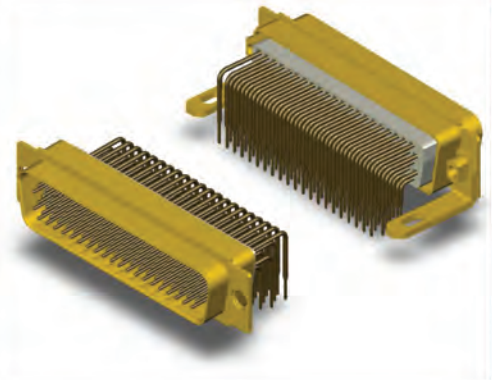
D*M High Density 104 contacts 90° Bent PCB terminations compliant to ESA/ESCC 3401-001 Specification

Features/Benefits

- Compliant with ESA/ESCC specification
- Solderable PCB terminations
- Available with or without brackets
- High density layouts

Typical Applications

- Space equipments
- Avionics / Military
- Industrials applications



Specification

Compliant to ESA/ESCC specifications 3401/001 and MIL-DTL-24308.
90°PCB contacts terminations.
Compatible with D*M ESCC 3401/001, D*MA ESCC 3401/002,
Savers 3401/020 and Accessories 3401/022.
PIN and SOCKETS arrangements available.
SIZE AVAILABLE: 104 ways (Also available: 15,26,44,62,& 78)
STARCLIP FEMALE CONTACTS TECHNOLOGY.
Distance between 2 adjacent contacts: 2,42mm (.095 inch)
Distance between 2 contacts rows: 2,08 mm (.082 inch)

Mechanical

Type	Mating force (N.max)	Contact retention force (N.max)	Max Weight (g)*
Size 104	295	40	45,8

* Weights without floating eyelets.

Electrical

Working Voltage (Sea level):	250 Vrms
Rated Current	5 A

Temperature Range

Operating Temperature range	-55 to +125 °C
Storage Temperature Range	-65 to +125 °C

Quality Level

ESA / ESCC: code 3401001 (Flying model)
Standard space: code FR022 (Engineering Model)

Options

Optional captive nuts or float mounting (consult factory)

Packaging

Individual packaging and traceability associated as per ESA/ESCC specifications

Each D*M connector is sold with a dust cap in individual plastic bag

3401-001 D*M High Density 104 Contacts 90° Bent PCB Terminations

D*M High Density 104 contacts 90° Bent PCB terminations compliant to ESA/ESCC 3401-001 Specification

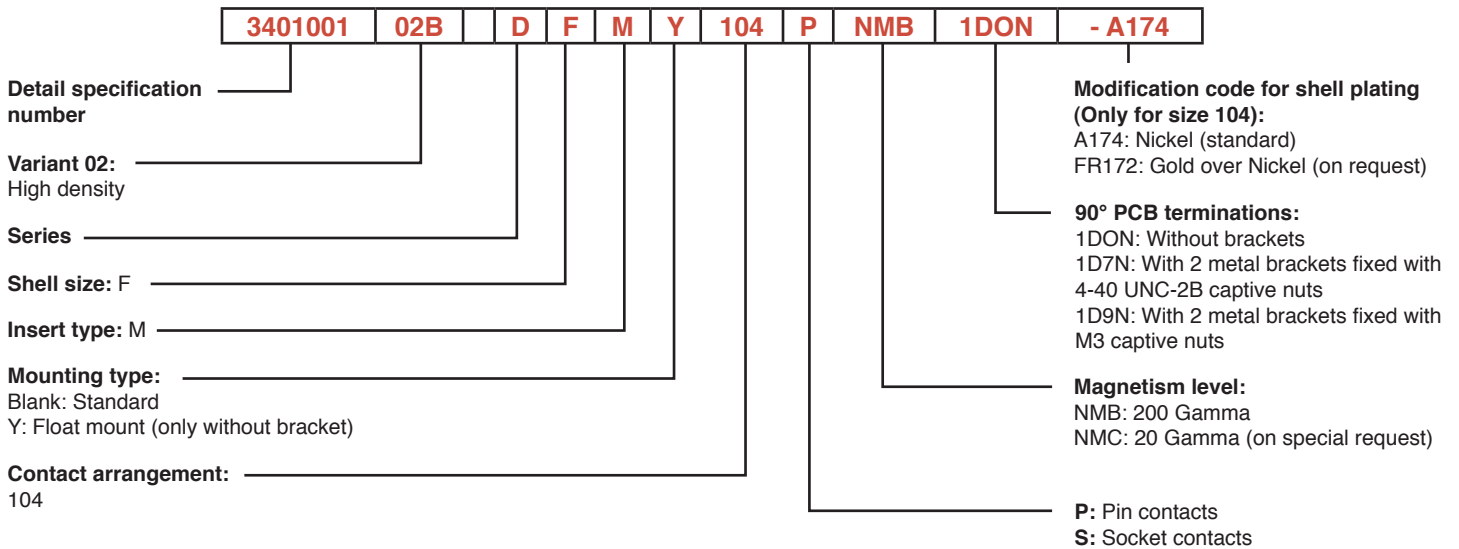
How to Order:

CONNECTORS:

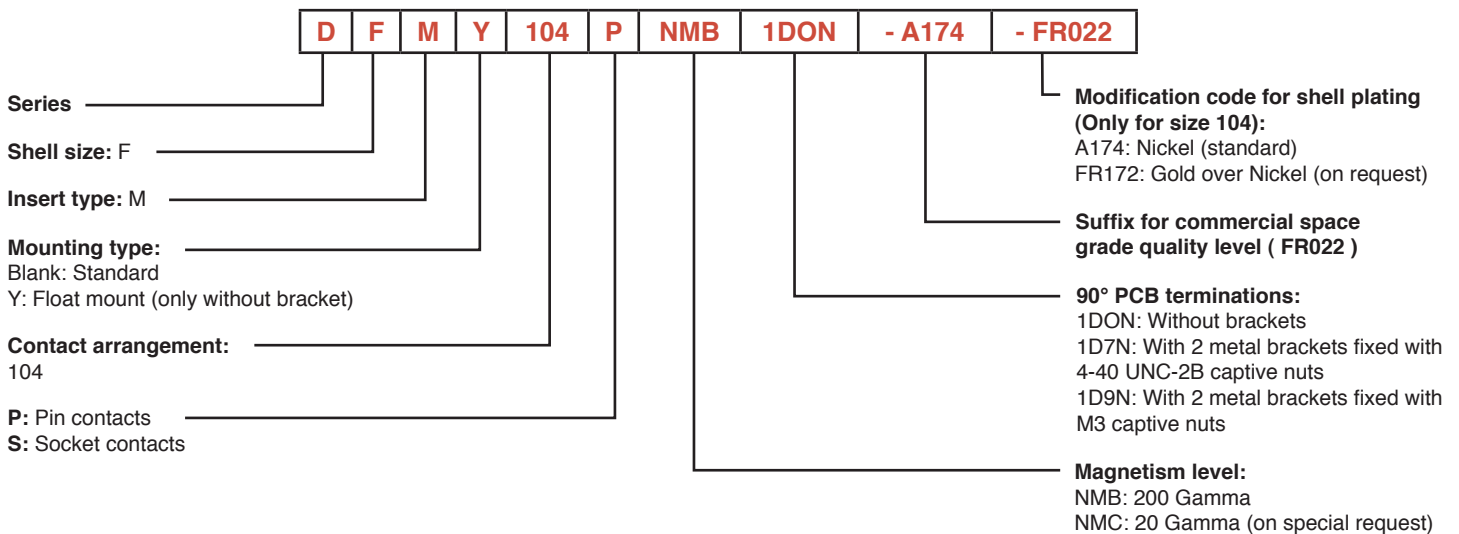
Our easy build-a-connector concept allows you to mix and match options to create the D*M you need. To order, select desired option from each category and place it in the appropriate box.

For any part number different from those listed above, please consult your local C&K components representative.

Connectors D*M - ESA/ESCC 3401-001 (Flying Models):



Connectors MDM - FR022 (Engineering Models):



*Dimensions are shown in mm (inch)
Dimensions subject to change*

3401-001 D*M High Density 104 Contacts 90° Bent PCB Terminations

D*M High Density 104 contacts 90° Bent PCB terminations compliant to ESA/ESCC 3401-001 Specification

Materials and finishes:

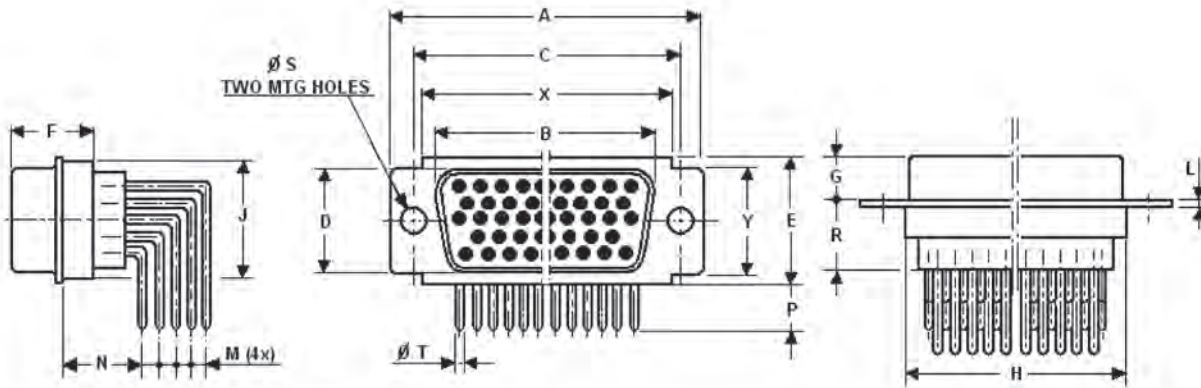
Shell	Aluminium alloy Finish A174: 25,4 μm min. (1000 μin min.) electroless Nickel over Copper underlay Finish FR172: 2,54 μm min. (100 μin min.) Gold over 25,4 μm min. (1000 μin min.) electroless Nickel
Insulators	PCT thermoplastic material, UL 94-V0, glass-filled, white color
Female contacts	Copper alloy / Finish: 1,27 μm (50 μin) min. Gold over Copper underlay
Male contacts	Copper alloy / Finish: 1,27 μm (50 μin) min. Gold over Copper underlay
Brackets and nuts	Copper alloy / Finish: 1,27 μm (50 μin) min. Gold over Copper underlay
Accessories (Y)	Copper alloy / Finish: 1,27 μm (50 μin) min. Gold over Copper underlay
Dust Caps	High density Polyethylene, red color

3401-001 D*M High Density 104 Contacts 90° Bent PCB Terminations

D*M High Density 104 contacts 90° Bent PCB terminations compliant to ESA/ESCC 3401-001 Specification

Physical Dimensions:

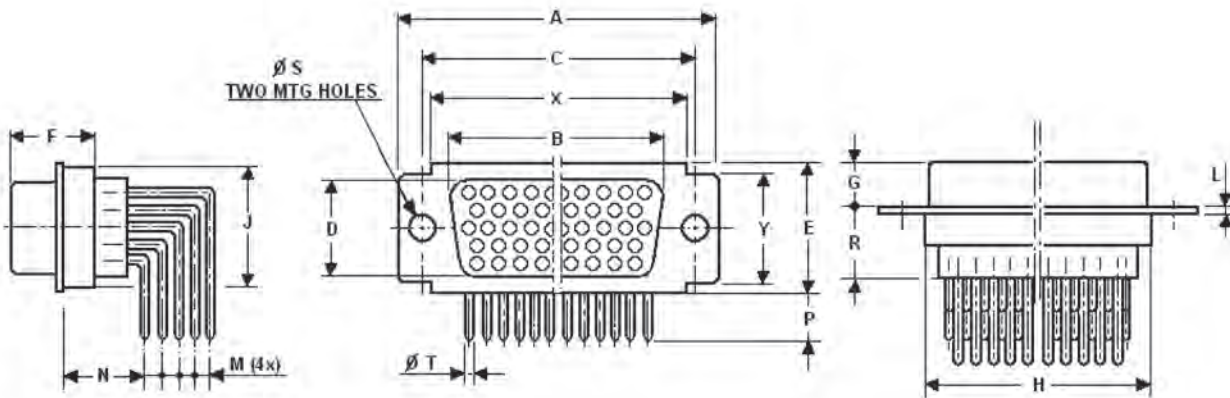
Connectors DFM104PNMB1DON-A174 (Male contacts)



SHELL SIZE	A	B	C	D	E	F	G	H	J	L	M	N	P	R	ØS	ØT	X	Y	
F	Max.	69,70	56,31	63,63	12,90	17,68	13,35	5,99	59,25	15,95	1,00	2,08	11,68	5,30	10,52	3,18	0,65	57,63	15,38
	min.	68,94	56,05	63,37	12,65	16,92	12,85	5,69	58,75	15,15	0,80		11,18	4,70	-	2,92	0,50	57,37	15,12

Note: For recommended PCB hole pattern, consult factory

Connectors DFM104SNMB1DON (Female contacts)



SHELL SIZE	A	B	C	D	E	F	G	H	J	L	M	N	P	R	ØS	ØT	X	Y	
F	Max.	69,70	55,73	63,63	12,45	17,68	13,40	6,30	59,25	15,95	1,00	2,08	11,68	5,30	10,52	3,18	0,65	57,63	15,38
	min.	68,94	55,47	63,37	12,19	16,92	12,90	6,05	58,75	15,15	0,80		11,18	4,70	-	2,92	0,50	57,37	15,12

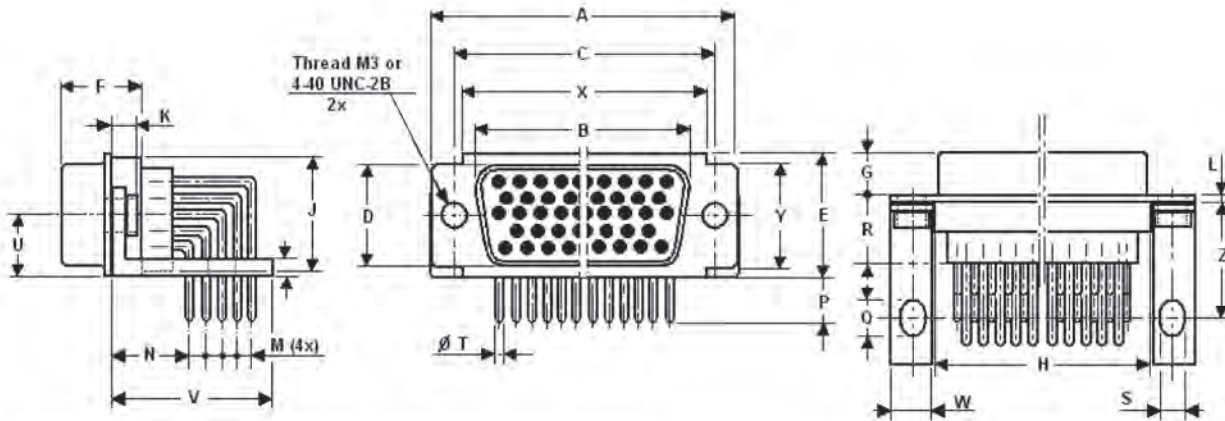
Note: For recommended PCB hole pattern, consult factory

3401-001 D*M High Density 104 Contacts 90° Bent PCB Terminations

D*M High Density 104 contacts 90° Bent PCB terminations compliant to ESA/ESCC 3401-001 Specification

Physical Dimensions (continued):

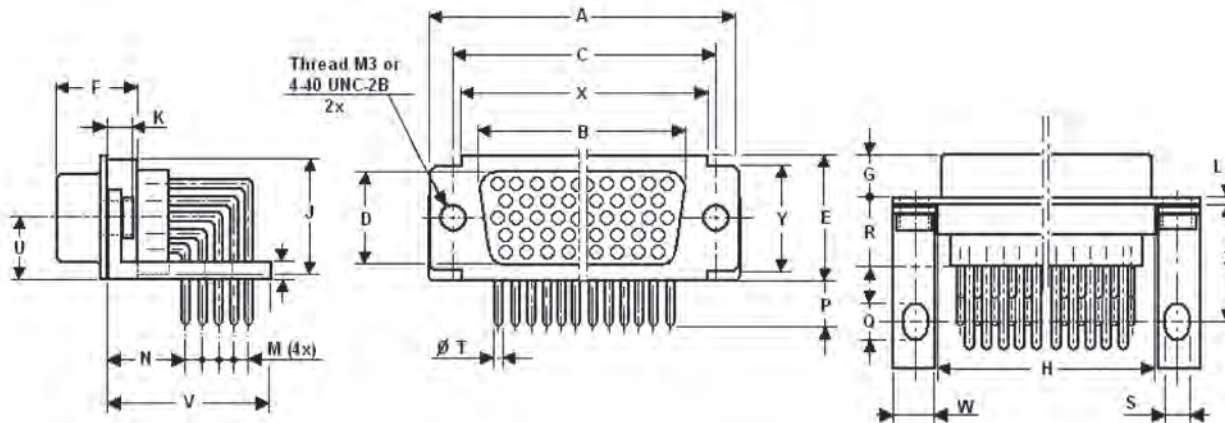
Connectors DFM104PNMB1D7/9N-A174 (Male contacts)



SHELL SIZE	A	B	C	D	E	F	G	H	J	K	L	M	N	P	Q	R	S	øT	U	V	W	X	Y	Z	
F	Max.	69,70	56,31	63,63	12,90	17,68	13,35	5,99	59,25	15,95	4,70	1,00	2,08	11,68	5,30	6,05	10,52	3,32	0,65	8,70	22,38	5,70	57,63	15,38	15,84
	min.	68,94	56,05	63,37	12,65	16,92	12,85	5,69	58,75	15,15	4,30	0,80		11,18	4,70	5,75	-	3,12	0,50	8,60	21,62	5,50	57,37	15,12	15,34

Notes: Code 1D7N = 4-40 UNC-2B Thread – Code 1D9N = M3 Thread
For recommended PCB hole pattern, consult factory

Connectors DFM104SNMB1D7/9N (Female contacts)



SHELL SIZE	A	B	C	D	E	F	G	H	J	K	L	M	N	P	Q	R	S	øT	U	V	W	X	Y	Z	
F	Max.	69,70	55,73	63,63	12,45	17,68	13,40	6,30	59,25	15,95	4,70	1,00	2,08	11,68	5,30	6,05	10,52	3,32	0,65	8,70	22,38	5,70	57,63	15,38	15,84
	min.	68,94	55,47	63,37	12,19	16,92	12,90	6,05	58,75	15,15	4,30	0,80		11,18	4,70	5,75	-	3,12	0,50	8,60	21,62	5,50	57,37	15,12	15,34

Notes: Code 1D7N = 4-40 UNC-2B Thread – Code 1D9N = M3 Thread
For recommended PCB hole pattern, consult factory



*Dimensions are shown in mm (inch)
Dimensions subject to change*



*Dimensions are shown in mm (inch)
Dimensions subject to change*



*Dimensions are shown in mm (inch)
Dimensions subject to change*