

P Series

4 Tumbler Snap-in Switchlocks



Description

The P series 4 tumbler switchlocks support the needs of those designing security for computers, point-of-sale terminals and other instrumentation. With snap-in mounting, the P series is known for being long lasting and high-quality.

Features & Benefits

- Snap-in mounting
- Positive detent
- Multi-pole and multi-position

Applications

- Computers
- Communication equipment

Agency Approvals

Agency	Agency File Number
	E42363

Specifications

Contact Ratings	Q contact material: 4 amps @ 125 V AC; 1 amp @ 250 V AC (UL) See page 3 for additional ratings.
Contact Resistance	Below 10 m Ω typ. initial @ 2-4 V DC, 100 mA, for both silver and gold plated contacts.

Electrical Characteristics

Electrical Life	10,000 make-and-break cycles at full load.
Insulation Resistance	10 ⁹ Ω min.
Dielectric Strength	1,000 Vrms min. @ sea level.
Indexing	45° or 90°, 2-3 positions

Materials

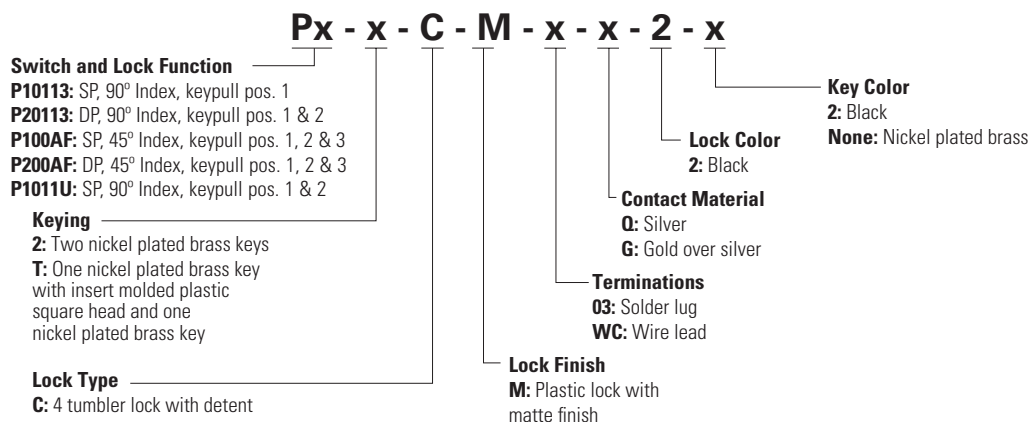
Switch Housing & Lock	One piece construction, 6/6 Nylon (UL 94 V-2), black 4 disc tumbler mechanism
Keys	One nickel plated brass keys with insert molded plastic head.
Tumblers	Disc tumblers, brass
Contacts and Terminals	Q contact material: Copper, silver plated. See page 3 for additional contact materials

Notes:

Any models supplied with Q or B contact material are RoHS compliant. Specifications and materials listed above are for switchlocks with standard options. For information on specific and custom switchlocks, consult Customer Service Center.

Ordering Number

To order, simply select desired option from each category and place in the appropriate box. For additional options not shown in catalog, consult Customer Service Center.



P Series

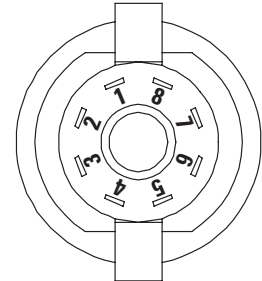
4 Tumbler Snap-in Switchlocks



Switch and Lock Function

NO Poles	Model No.	Connected Terminals			Key Pull Positions	Lock Configuration	Indexing
		POS. 1	POS. 2	POS. 3			
SP, DP	P10113	8-1	1-3	-	Position 1		90°
	P20113	8-1, 4-5	1-3, 5-7	-			
DP	P100AF	8-1	1-2	2-3	Positions 1, 2 & 3		45°
	P200AF	8-1, 4-5	1-2, 5-6	2-3, 6-7			
SP	P1011U	8-1	1-3	-	Position 1 & 2		90°

Terminal Numbers

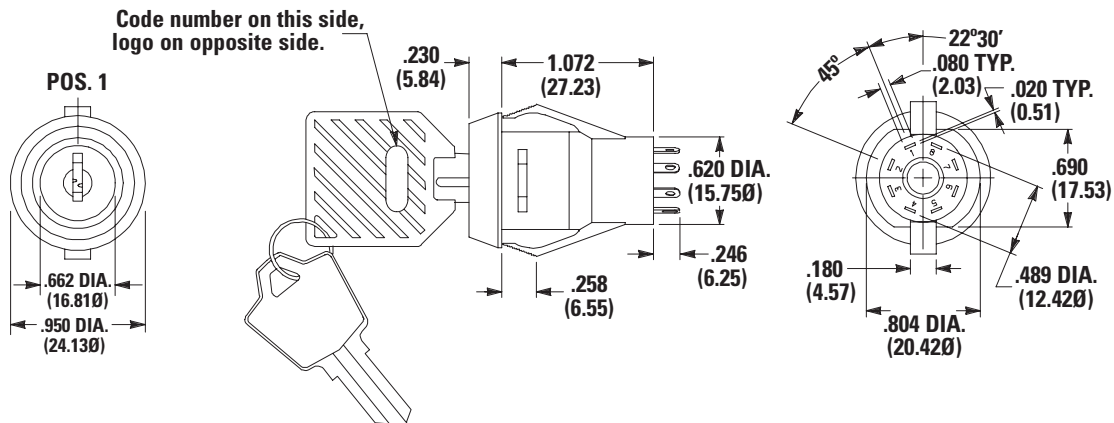


Notes: Terminal numbers molded on housing.

Notes: All models C&K US with all options when ordered with 'Q' contact material.
Legend

- = Detent Positions (45° or 90°)
- ⊙ = Key pull possible in these positions.
- ⊖ = Stop Positions

Dimensions - inches (mm)

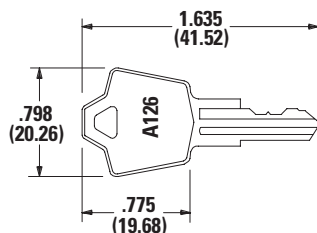


Note: Part number shown: P100AFTCM03Q22
 Terminal numbers molded on housing.

Keying

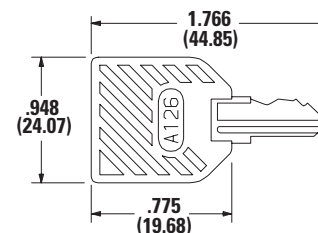
Option Code	Keying Options	Code No. On Key	Code No. On Lock
2	2 Nickel plated brass keys	Yes	No
T	1 Nickel plated brass keys, with plastic insert molded square head & 1 nickel plated brass key	Yes	No

Nickel Plated Brass Key Dimensions - inches (mm)



Key part Number: 115140126

Nickel Plated Brass Key with Plastic Insert Molded Square Head Dimensions - inches (mm)



Key part Number: 1159912602

Notes: All orders keyed alike with code number on key. For more than one key code, replacement keys, or other special features, consult Customer Service Center.

P Series

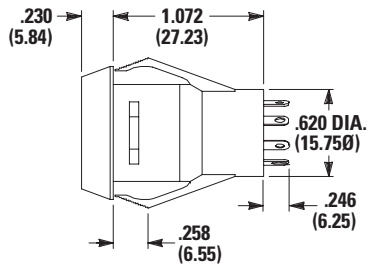
4 Tumbler Snap-in Switchlocks



Lock Type

C 4 Tumbler Lock with Detent

Dimensions - inches (mm)



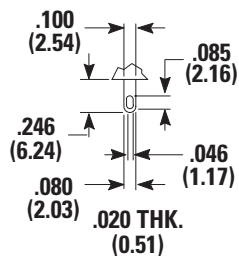
Lock Finish

M Plastic Lock with Matte Finish

Option Code	Lock Color
2	Black

03 Solder Lug

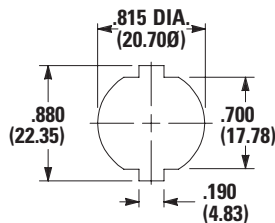
Dimensions - inches (mm)



Terminations

Panel Mounting

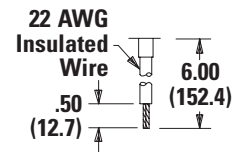
Dimensions - inches (mm)



Note: Panel Thickness: .100-.200(2.54-5.08)

WC Wire Lead

Dimensions - inches (mm)



Black wire standard, other colors and lengths available, consult Customer Service Center. UL style 1015.

Contact Material

Option Code	ROHS Compliant ¹	ROHS Compatible ¹	Contact and Terminal Material	Rating
Q	Yes	Yes	Silver ²	Power 4 amps @ 125 V AC or 28 V DC; 2 amps @ 250 AC V AC (UL/CSA).
G	Yes	Yes	Gold over Silver ³	Low Level / Dry Circuit 0.4 VA max. @ 20 V AC or DC max. or 4 amps @ 125 V AC; 1 amp @ 250 V AC (UL/CSA)

Notes:

1. See Technical Data section of this catalog for RoHS compliant and compatible definitions and specifications.

2 **Contacts & Terminals:** Copper, silver plated (standard with all termination options)

3 **Contacts & Terminals:** Copper, with gold plate over silver plate termination

All models **C** **UL** **US** with all options when ordered with 'Q' contact material.

Available Hardware



Key Code: A126, 4 Tumbler
Part No. (One Key): 115140126
Material: Brass
Finish: Nickel Plate



Key Code: A126, 4 Tumbler
Part No. (One Key): 1159112602 Black
Material: Brass
Finish: Nickel plate 6/6 Nylon insert molded head

Disclaimer Notice - Information furnished is believed to be accurate and reliable. However, users should independently evaluate the suitability of and test each product selected for their own applications. Littelfuse products are not designed for, and may not be used in, all applications. Read complete Disclaimer Notice at <http://www.littelfuse.com/disclaimer-electronics>.