

# RB Series

## Rolling Ball Sensor Switch



### Description

It is critical for household goods, electronic toys, consumer electronics and security controls to be built with long lasting, high quality parts that can be counted on to work every time. The RB series rolling ball sensor switches from C&K feature an ultraminiature design and are available with several different angle options to trigger, helping ensure they fit any product.

### Features & Benefits

- Different angle options to trigger
- Ultra miniature design
- Patent awarded

### Applications

- Consumer electronics including irons, portable heaters, games, toys
- Safety and security controls
- Household goods
- Electronic toys

## RB-231X2 Information

### Specifications

<b>Contact Arrangement</b>	SPST
<b>Sensor Angle</b>	0° to -10° scope inside, terminal to disconnection electric current

### Electrical Characteristics

<b>Maximum Voltage</b>	5 VDC 1mA (resistive load)
<b>Minimum Voltage</b>	1 VDC 10mA (resistive load)
<b>Operating Life</b>	100,000 cycles
<b>Insulation Resistance</b>	1,000 M Ω min. @ 100 VDC
<b>Dielectric Strength</b>	500 V AC (50-60 Hz)
<b>Operating Temperature</b>	-20°C to 70°C

### Materials

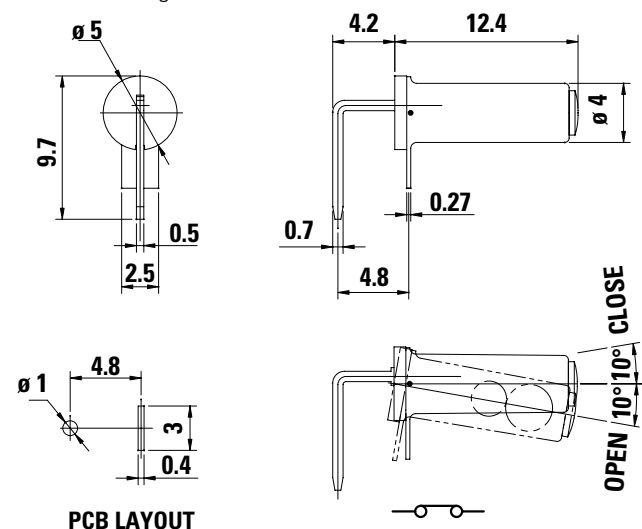
<b>Frame</b>	Copper alloy, nickel plated
<b>Cover</b>	PA 46 (UL94V-0)
<b>Movable Contact</b>	Copper alloy, nickel plated
<b>Terminals</b>	Copper alloy, gold plated
<b>Brass Ball</b>	Brass, gold plated

## Ordering Number

Part number list is shown below. For individual part details, please refer to the following.

Part Number (Part Description)	Product Details
RB-231X2	Rolling Ball Sensor Switch

Part Number	Packaging
RB-231X2	1,000 pieces



# RB Series

## Rolling Ball Sensor Switch



### RB-220-07A Information

#### Specifications

<b>Contact Arrangement</b>	SPST
<b>Sensor Angle</b>	In the range of 15° to 90°, current appears between terminals

#### Electrical Characteristics

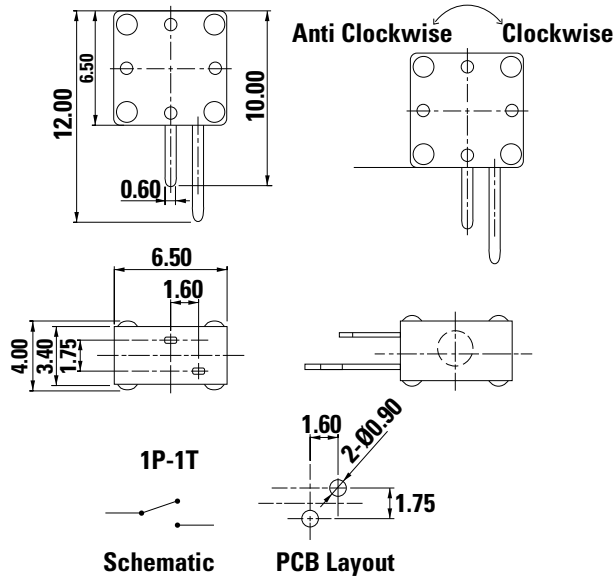
<b>Maximum Voltage</b>	5 VDC 1mA (resistive load)
<b>Minimum Voltage</b>	1 VDC 10µA (resistive load)
<b>Operating Life</b>	100,000 cycles
<b>Insulation Resistance</b>	10 M Ω min. @ 100 VDC
<b>Dielectric Strength</b>	100 V AC (50-60 Hz)
<b>Operating Temperature</b>	-10°C to 50°C

#### Materials

<b>Cover</b>	PA
<b>Housing</b>	PA
<b>Silicon Sheet</b>	Silica
<b>Terminals</b>	Copper alloy, gold plated
<b>Brass Ball</b>	Brass, gold plated

Part Number (Part Description)	Product Details
RB-220-07A R	Rolling Ball Sensor Switch

Part Number	Packaging
RB-220-07A R	500 pieces



**Disclaimer Notice** - Information furnished is believed to be accurate and reliable. However, users should independently evaluate the suitability of and test each product selected for their own applications. Littelfuse products are not designed for, and may not be used in, all applications. Read complete Disclaimer Notice at <http://www.littelfuse.com/disclaimer-electronics>.